

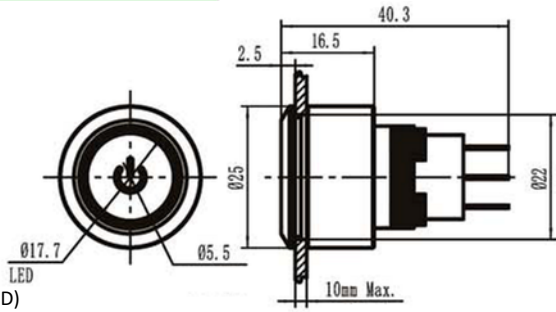


Ø 22 -25 mm

I-TOP-S1-AWP



Diameter: Ø 22mm
 Color: R, G, Y, O, B, W
 Switch Rating: 5A/250VAC
 Contact Configuration:
 1NO 1NC /2NO 2NC
 Operation Type:
 • Momentary
 • Maintained(Z)
 Lamp type:
 Power symbol illuminated (LED)
 The Front Shape: Flat
 The Crust Material: Stainless steel
 IP Degree: IP67, IK10

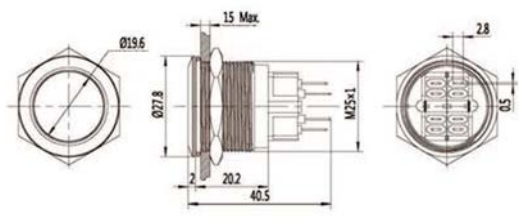


14
*
59

S-TOP-25F



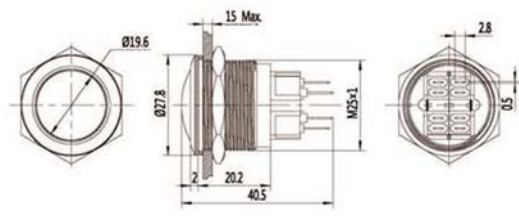
Diameter: Ø 25mm
 Switch Rating: 5A/250VAC
 Contact Configuration:
 1NO 1NC /2NO 2NC
 Operation Type:
 • Momentary
 • Maintained(Z)
 The Front Shape: Flat
 The Crust Material: Stainless steel
 IP Degree: IP67, IK10



S-TOP-25B



Diameter: Ø 25mm
 Switch Rating: 5A/250VAC
 Contact Configuration:
 1NO 1NC /2NO 2NC
 Operation Type:
 • Momentary
 • Maintained(Z)
 The Front Shape: Ball
 The Crust Material: Stainless steel
 IP Degree: IP67, IK10



S-TOP-25H



Diameter: Ø 25mm
 Switch Rating: 5A/250VAC
 Contact Configuration:
 1NO 1NC /2NO 2NC
 Operation Type:
 • Momentary
 • Maintained(Z)
 The Front Shape: High
 The Crust Material: Stainless steel
 IP Degree: IP67, IK10

